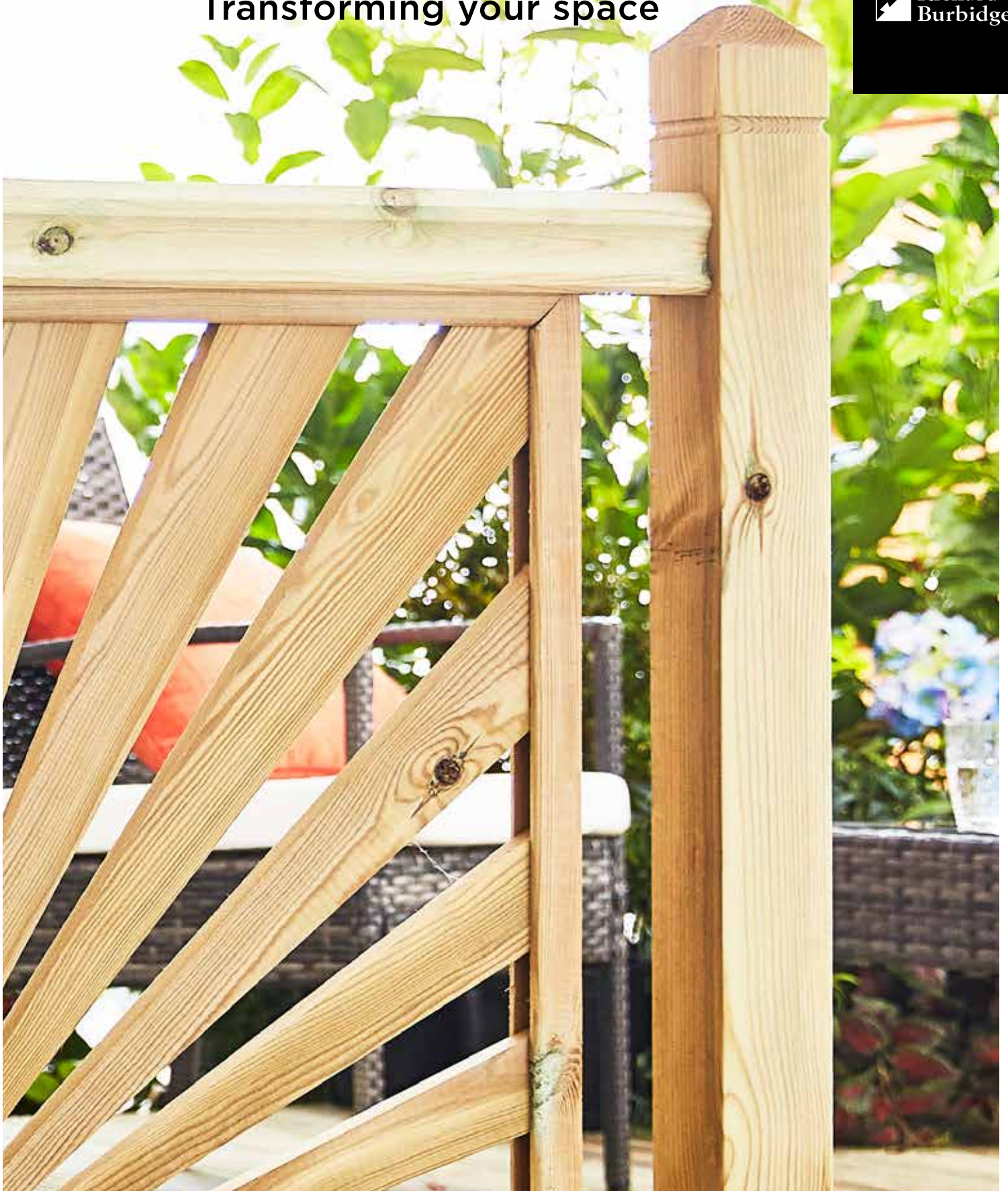


Transforming your space

 **Richard
Burbidge**



OUTDOOR & DIY TIMBER



Welcome to the Richard Burbidge Professional Product Guide.

At Richard Burbidge we have been dedicated to the design, manufacture and supply of timber products for more than 150 years. Today we have an inspiring range of outdoor timber products designed to transform your outdoor spaces with minimum effort. Everything we make is carefully constructed to be easy to fit with the maximum finished effect. We also have a team of specialist advisors available to help with planning, estimating and fitting as necessary to ensure a superb result every time.

Contents

Environment	4
Transformations	6
OUTDOOR	
Traditional	9
Classic	10
Contemporary	11
PORCHES & CANOPIES	
Porches & canopies	12
FUSION® OUTDOOR	
Fusion® systems	14
Fusion® Juliette balconies	14
DIY TIMBER	
PSE handy packs	17
Solid pine boards	18
Sawnwood	18



Front cover: Traditional Sunburst Panel. Main picture: Traditional Colonial.
Left top: Apex porch canopy. Left bottom: Step Kit.

Crafting timber products sustainably

At Richard Burbidge we feel privileged to work with this incredible natural resource every day and will always champion supporting sustainable timber production.

We are proud to hold an extensive list of environmental and sustainable accreditations and are extremely careful about where we source our timber from. A large majority of our timber is FSC® certified or PEFC certified. These certifications promote environmentally appropriate, socially beneficial and economically viable management of the world's forests. Please ask for FSC® and PEFC certified products.

As members of the Timber Trade Federation (TTF), we operate under a strict Environmental Code of Conduct, always ensuring our timber is fit for purpose and meets local and international legal regulations.

We are committed to constructing all of our products sustainably, we produce a large selection of our timber products at our own mill in Chirk, North Wales. We're also extremely proud of our ISO 14001 Environmental Management Systems certification, which demonstrates that we operate a business taking into account minimising our environmental impacts.

Wood is a complex and unique product; by taking the time to replenish and refinish wood, it can last a lifetime. At Richard Burbidge we are always championing and supporting sustainable timber sourcing and production. We continue to deliver on our promise to give our customers the most eco-friendly and environmentally viable selection of timber products.







TRANSFORMATIONS

by Richard Burbidge

Turn ordinary into inspirational

Bring your outdoor living space to life with our innovative products. . Create a whole new look with functional yet decorative balustrades in both traditional and super contemporary styles; porch canopies, Juliette balcony rails and a versatile range of DIY timber completes the range. You'll also find useful advice on fitting, finishing and maintenance to help you choose the best options and achieve the perfect result.

HERITAGE

We've been supplying precision crafted materials to discerning craftsmen for over 150 years

STYLE

We work with leading trend analysts and designers to ensure that our products remain at the cutting edge

DETAIL

You can be confident that everything we supply is exact in design and manufacture



Left: Traditional Sunburst Panel. Above left: DIY Timber Sawnwood. Above right: Traditional Colonial.



OUTDOOR BALUSTRADES

Innovative design + robust construction

More than ever, the outdoors is an extension of our living space. With Richard Burbidge Outdoor Balustrades, plain decked areas can become warm and welcoming places to relax, safe enclosed play areas and a beautiful feature all year round.

- Classic, contemporary and traditional designs
- Designed for easy construction
- Built to withstand the Great British weather

Above: Traditional outdoor with square baluster

Traditional Balustrades




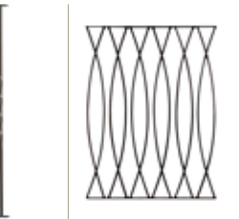


Traditional handrails & baserails

					
Description	Traditional multi purpose rail	Large traditional handrail with fillet	Large traditional baserail	Multi-purpose rail	Baserail support bracket
Product code	LD201C	LD265	LD246	LD264	LD244
Size (mm)	1800 x 32 x 66	2400 x 68 x 68	2400 x 32 x 68	3600 x 35 x 62	182 x 89 x 15
Pack qty	1	1	1	1	6

Traditional balusters and panels

							
Description	41mm Colonial spindle	32mm Square baluster	41mm Square baluster	Stop chamfer baluster	Glass panel with brackets*	Glass panel with brackets*	Sunburst
Product code	LD200	LD252	LD226	LD248	LD258	LD258PACK	LD211
Size (mm)	900 x 41 x 41	900 x 32 x 32	900 x 41 x 41	900 x 41 x 41	876 x 150 x 8	876 x 150 x 8	1130 x 760 x 36
Pack qty	1	1	1	1	1	4	1

Outdoor balustrade fixings

						
Description	Cross hatch	Straight metal baluster	Twist metal baluster	Classic metal panel	Twist bracket c/w cover cap	Baserail support bracket
Product code	LD212	LD237	LD238	LD241	LD333	LD244
Size (mm)	1130 x 760 x 36	769 x 12 x 12	769 x 12 x 12	769 x 580 x 18	N/A	182 x 89 x 15
Pack qty	1	1	1	1	4	1

Traditional newels

								
Description	82mm Colonial newel	82mm Colonial newel (1.5m)	75mm Patrice newel	82mm Patrice newel	82mm Patrice newel (1.5m)	82mm Patrice newel (1.8m)	82mm Stop chamfered newel	82mm Stop chamfered newel
Product code	LD202	LD250	LD207	LD209	LD251	LD254	LD249	LD257
Size (mm)	1195 x 82 x 82	1500 x 82 x 82	1195 x 75 x 75	1195 x 82 x 82	1500 x 82 x 82	1800 x 82 x 82	1195 x 82 x 82	1375 x 82 x 82
Pack qty	1	1	1	1	1	1	1	1

All of our outdoor timber products are treated to UC3 U, other than LD254 which is treated to UC4. *Only suitable for use with LD265 and LD264.

Classic Square & Metal Balustrades

Classic handrails & baserails



Description	L rail	Flat capping rail
Product code	LD259	LD220
Size (mm)	2400 x 58 x 68	2400 x 27 x 115
Pack qty	1	1

Classic balusters



Description	32mm Square baluster	41mm Square baluster	Metal Victorian baluster	Metal Abbey baluster
Product code	LD252	LD226	LD260	LD261
Size (mm)	900 x 32 x 32	900 x 41 x 41	820 x 26 x 6	820 x 26 x 6
Pack qty	1	1	5	5

Classic newels



Description	Square newel
Product code	LD224
Size (mm)	1375 x 82 x 82
Pack qty	1

Classic Glass & American Outdoor

Classic handrails & baserails



Description	Glass panel carrying rail*	American rail**	Flat capping rail
Product code	LD263	LD206	LD220
Size (mm)	2400 x 68 x 40	1800 x 27 x 120	2400 x 27 x 115
Pack qty	1	1	1

Classic balusters and panels



Description	Glass panel*	Glass panel*	32mm American baluster**
Product code	LD262	LD262PACK	LD205
Size (mm)	876 x 150 x 8	876 x 150 x 8	900 x 32 x 32
Pack qty	1	4	1

Classic newels



Description	Square newel*	75mm Patrice newel**	82mm Patrice newel **	82mm Patrice newel (1.5m)**
Product code	LD224	LD207	LD209	LD251
Size (mm)	1375 x 82 x 82	1200 x 75 x 75	1200 x 82 x 82	1500 x 82 x 82
Pack qty	1	1	1	1



All of our outdoor timber products are treated to UC3 U, other than LD254 which is treated to UC4. *Classic glass system **Classic American system

Contemporary Balustrades

Contemporary rails

		
Description	Softwood round rail	Softwood capping rail
Product code	LD218	LD220
Size (mm)	2200 x Ø54	2400 x 27 x 115
Pack qty	1	1

Contemporary fixings

		
Description	Rail to newel bracket - rake	Rail to newel bracket - landing
Product code	LD558	LD559
Size (mm)	N/A	N/A
Pack qty	2	2

Contemporary balusters and panels

			
Description	Softwood round spindle	Glass panel with brackets	Glass panel with brackets
Product code	LD227	LD258	LD258PACK
Size (mm)	900 x Ø35	876 x 150 x 8	876 x 150 x 8
Pack qty	1	1	4

Contemporary newels

	
Description	Softwood round newel
Product code	LD223
Size (mm)	1375 x 90 x 90
Pack qty	1

Treated Outdoor

Treated softwood structural components

				
Description	35° cut string for 3 steps	35° cut string for 5 steps	Ball cap	Patrice cap
Product code	LD402	LD403	LD203	LD204
Size (mm)	1000 x 48 x 260	1674 x 48 x 260	95 x 75 x 75	120 x 120
Pack qty	1	1	1	1



PORCHES & CANOPIES





Stylish additions + simplified construction

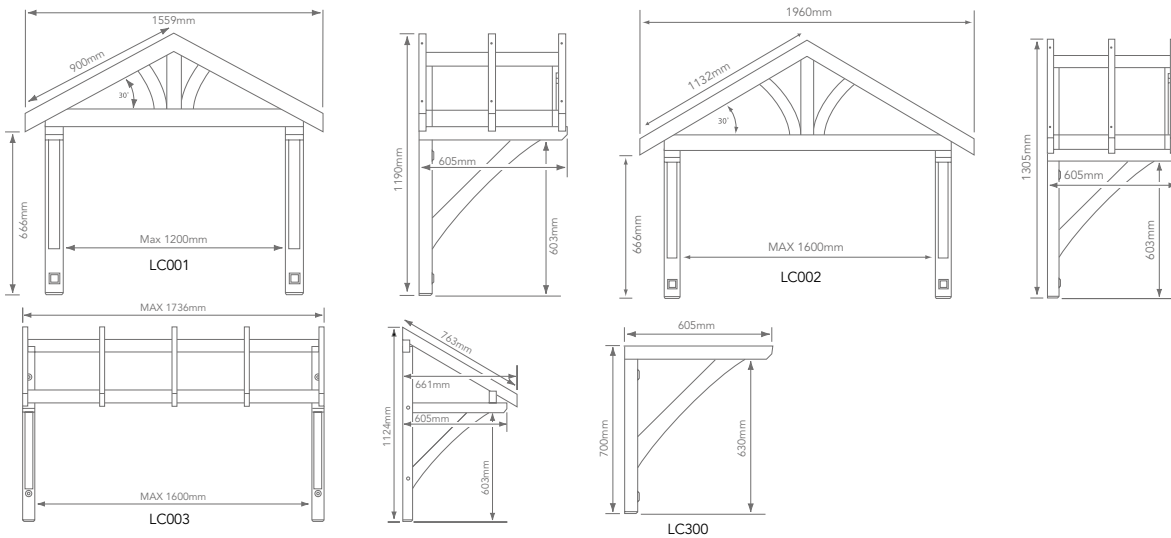
Richard Burbidge make it easy to give a front door a little more kerb appeal, with our stylish and innovative timber porch canopy and accessory kits. There's no need to design or make precise joinery cuts and each component is even pre-drilled.

- Classic, contemporary and traditional designs
- Designed for easy construction
- Built to withstand the Great British weather

Above: Apex porch canopy

Porches & canopies

				
Description	1200 Apex porch canopy	1600 Apex porch canopy	Flat roof canopy (1200 x 1600mm)	Single gallows bracket
Product code	LC001	LC002	LC003	LC300
Size (mm)	1559 x 1190 x 605	1960 x 1305 x 605	1736 x 1124 x 605	700 x 630 x 605
Pack qty	1	1	1	1



Accessories

White Oak



Description	Porch finial
Product code	LC200
Size (mm)	690 x 75 x 75
Pack qty	1



Above: Flat roof canopy.



FUSION® OUTDOOR

Modern styling + design flexibility

Visually stunning and easy to install, Fusion® Outdoor injects contemporary style into any outdoor living area. Based on a distinctive union of timber handrails and modern aluminium components, completed with 8mm clear toughened safety glass panels.

- Classic, contemporary and traditional designs
- Designed for easy construction
- Built to withstand the Great British weather

Above: Fusion® Glass

Domestic ground level

Description	Glass panel & 4 fixing brackets	Small glass panel & 4 fixing brackets	Aluminium rail with brackets	Aluminium newel cap c/w cap, base & infill	Hardwood top rail	Rail to rail bracket	Rail to wall bracket	Rail to newel bracket
Product code	LD579	LD584	LD500	LD502	LD585	LD506	LD582	LD507
Size (mm)	800 x 750 x 8	350 x 750 x 8	1800 x Ø46	900 x 41 x 41	2200 x Ø80	N/A	N/A	N/A
Pack qty	1	1	1	1	1	1	2	2

Domestic raised level / Commercial

Description	Glass panel & 4 fixing brackets	Small glass panel & 4 fixing brackets	Aluminium rail with 2 brackets	Hardwood top rail	Aluminium newel post	Rail to rail bracket	Rail to wall bracket	End cap for timber rail	Newel to timber rail support bracket
Product code	LD579	LD584	LD578	LD585	LD575	LD576	LD582	LD583	LD577
Size (mm)	800 x 750 x 8	350 x 750 x 8	900 x Ø46	2200 x Ø80	1000 x Ø80	N/A	N/A	N/A	N/A
Pack qty	1	1	1	1	1	1	2	2	1

Fusion® Juliette balconies

White Oak

Description	Juliette balcony kit - oversized glass	Juliette balcony kit - oversized glass	Juliette balcony kit - oversized glass
Product code	JULKIT01	JULKIT02	JULKIT03
size (mm)	970 x 1110	1500 x 1570	1870 x 2010



Above: Fusion® Juliette Balcony.



DIY TIMBER

Contemporary features + bright thinking

The ideal combination of quality panels and strip wood that will provide the ingredients for DIY achievement. Selected timbers and precision machining are the key to a successful project, and that's what we provide.

- Useful range of sizes
- Timber carefully selected to minimise faults

Above: Solid Redwood Pine Boards

PSE Handy Packs

Handy Packs are shrinkwrapped and barcoded multiple packs. Each piece is individually barcoded so packs can be split for retail. PSE or Planed Square Edge timber is a smooth, machined square section of timber used where a neat, clean finish is required. Available in a variety of sizes.

	Code	Size (mm)	Pack qty
12mm Thick PSE Handy Pack			
Whitewood Pine	54395	12 x 21 x 2400	12
	50095	12 x 34 x 1800	8
	50096	12 x 34 x 2400	8
	50194	12 x 46 x 1800	6
	50195	12 x 46 x 2400	6
	50294	12 x 71 x 1800	4
	50295	12 x 71 x 2400	4
	50394	12 x 96 x 1800	3
	50395	12 x 96 x 2400	3

	Code	Size (mm)	Pack qty
19mm Thick PSE Handy Pack			
Whitewood Pine	51492	19 x 19 x 1800	12
	51493	19 x 19 x 2400	12
	51595	19 x 34 x 1800	8
	51596	19 x 34 x 2400	8
	51599	19 x 34 x 3000	8
	51695	19 x 46 x 1800	6
	51696	19 x 46 x 2400	6
	51699	19 x 46 x 3000	6
	51790	19 x 71 x 1800	4
	51791	19 x 71 x 2400	4
	51794	19 x 71 x 3000	4
	51890	19 x 96 x 1800	3
	51891	19 x 96 x 2400	3
	51896	19 x 96 x 3000	3
	51990	19 x 145 x 1800	3
	51991	19 x 145 x 2400	3
	51996	19 x 145 x 3000	3
	57218	19 x 185 x 1800	1
	57224	19 x 185 x 2400	1
	57230	19 x 185 x 3000	1

	Code	Size (mm)	Pack qty
21mm Thick PSE Handy Pack			
Whitewood Pine	52091	21 x 21 x 1800	10
	52092	21 x 21 x 2400	10
	52290	21 x 46 x 1800	6
	52291	21 x 46 x 2400	6

	Code	Size (mm)	Pack qty
34mm Thick PSE Handy Pack			
Whitewood Pine	52994	34 x 34 x 1800	4
	52995	34 x 34 x 2400	4
	52998	34 x 34 x 3000	4
	53090	34 x 46 x 1800	4
	53091	34 x 46 x 2400	4
	53191	34 x 71 x 2400	3
	53291	34 x 96 x 2400	3

	Code	Size (mm)	Pack qty
46mm Thick PSE Handy Pack			
Whitewood Pine	53390	46 x 46 x 1800	4
	53391	46 x 46 x 2400	4
	53394	46 x 46 x 3000	4
	53491	46 x 71 x 1800	3
	53490	46 x 71 x 2400	3
	53494	46 x 71 x 3000	3
	53590	46 x 96 x 2400	3
	53593	46 x 96 x 3000	3

Register for an online account



Register for an online account with at **richardburbidge.com** and you'll benefit from our trade support including:

- Easy online ordering
- Bespoke quotes
- Trade prices
- Payment terms
- Real-time stock levels
- Download imagery*
- Marketing support


Scan here to register for an online account



*feature is coming soon.

Solid Redwood Pine Boards & Sawnwood

Solid pine boards

	Product code	Size (mm)	Pack qty
18mm Thick 	93630	18 x 200 x 900	1
	93631	18 x 300 x 900	1
	93632	18 x 400 x 900	1
	93633	18 x 500 x 900	1
	93634	18 x 200 x 1200	1
	93635	18 x 300 x 1200	1
	93636	18 x 400 x 1200	1
	93637	18 x 500 x 1200	1
	93638	18 x 200 x 1800	1
	93639	18 x 300 x 1800	1
	93640	18 x 400 x 1800	1
	93641	18 x 500 x 1800	1
	93642	18 x 600 x 1800	1
	93643	18 x 200 x 2400	1
	93644	18 x 300 x 2400	1
	93645	18 x 400 x 2400	1
	27mm Thick	93652	27 x 300 x 1200
93653		27 x 400 x 1200	1
93654		27 x 500 x 1200	1
93655		27 x 600 x 1200	1
93656		27 x 300 x 1800	1
93657		27 x 400 x 1800	1
93658		27 x 500 x 1800	1
93659		27 x 600 x 1800	1
93660		27 x 300 x 2400	1
93661		27 x 400 x 2400	1
93662		27 x 500 x 2400	1
93663		27 x 600 x 2400	1

Sawnwood

	Product code	Size (mm)	Pack qty
19mm Sawnwood	70083	19 x 38 x 1800	10
	70084	19 x 38 x 2400	10
19mm Treated Sawnwood	70116	19 x 38 x 1800	10
	70117	19 x 38 x 2400	10
22mm Sawnwood	70092	22 x 75 x 2400	5
	70094	22 x 100 x 2400	5
	70096	22 x 150 x 2400	5
25mm Sawnwood	70731	25 x 25 x 2400	10
	70089	25 x 50 x 1800	10
	70090	25 x 50 x 2400	10
25mm Treated Sawnwood	70468	25 x 38 x 1800	6
	70469	25 x 38 x 2400	6
	70470	25 x 50 x 1800	6
	70471	25 x 50 x 2400	6
35mm Sawnwood	70732	35 x 35 x 2400	6
45mm Sawnwood	70099	45 x 45 x 3000	4
	70472	45 x 45 x 1800	4
45mm Treated Sawnwood	70473	45 x 70 x 1800	3
	70474	45 x 95 x 1800	2
	70098	47 x 50 x 2400	4
	70101	47 x 75 x 2400	3
47mm Sawnwood	70104	47 x 100 x 2400	2
	70119	47 x 50 x 2400	4
	70122	47 x 75 x 2400	3
47mm Treated Sawnwood	70125	47 x 100 x 2400	2
	70137	38 x 63 x 2400	1
	70138	38 x 89 x 2400	1
CLS Treated			



MAKE AND FIT A PINE BOARD SHELF



Above: Solid pine boards used to make shelves, wall panels, furniture and architectural furniture



Please help us care
for the environment
by recycling



Customer Services 01691 678 300
Technical Support 01691 678 212
Joinery 01691 678232
order@richardburbidge.co.uk
www.richardburbidge.com

Scan this QR code
to visit the
Richard Burbidge
website.

